

# PUMA

TRACTORS 140 -225 HP



**CASE IH**

MODELS	PUMA 140	PUMA 155	PUMA 180	PUMA 210	Puma 165 CVT	Puma 195 CVT	PUMA 225 CVT
<b>ENGINE</b>							
Number of cylinders / type	6 / turbocharged and intercooled						
Capacity (litres)	6.7	6.7	6.7	6.7	6.7	6.7	6.7
Bore x stroke mm	104 X 132	104 X 132	104 X 132	104 X 132	104 X 132	104 X 132	104 X 132
Rated power ECE R120 <sup>1</sup> (kW/hp(CV))	104 / 142	116 / 158	134 / 182	157 / 213	123 / 167	145 / 197	165 / 224
Rated power ECE R120 <sup>1</sup> Power Management <sup>2a</sup> (kW/hp(CV))	123 / 167	135 / 183	160 / 218	175 / 238	150 / 204	172 / 234	181 / 247
Rated engine speed (rpm)	2200	2200	2200	2200	2200	2200	2200
Maximum power ECE R120 <sup>1</sup> (kW/hp(CV))	112 / 150	124 / 166	147 / 200	164 / 223	132 / 180	156 / 212	169 / 230
Maximum power ECE R120 <sup>1</sup> Power Management <sup>2a</sup> (kW/hp(CV))	131 / 178	142 / 193	172 / 234	178 / 242	158 / 215	177 / 241	185 / 251
... at engine speed (rpm)	1900 - 2000	1900 - 2000	1900 - 2000	1900 - 2000	1900 - 2000	1900 - 2000	1800
Maximum torque (Nm/rpm)	643 / 1400	690 / 1400	844 / 1400	866 / 1400	774 / 1400	860 / 1400	950 / 1400
Maximum torque - Power Management <sup>2a</sup> (Nm/rpm)	678 / 1600	748 / 1600	938 / 1600	984 / 1600	874 / 1600	965 / 1600	1025 / 1500
Torque rise Standard / Power Management <sup>2a</sup> (%)	42 / 27	37 / 28	45 / 35	27 / 30	45 / 35	37 / 30	32 / 30
Fuel tank (litres)	285	285	412	412	412	412	412
<b>TRANSMISSION</b>							
18x6 Semi- / Full Powershift 40 kph	○/●	○/●	-/●	-/●	-/-	-/-	-/-
19x6 Semi- / Full Powershift Economy 40 kph @ reduced rpm	○/○	○/○	-/○	-/○	-/-	-/-	-/-
19x6 Semi- / Full Powershift 50 kph	○/○	○/○	-/○	-/○	-/-	-/-	-/-
CVT 40 kph Economy @ reduced rpm	-	-	-	-	●	●	●
CVT 50 kph Economy @ reduced rpm	-	-	-	-	○	○	○
Creep	○	○	○	○	●	●	●
Rear axle diff-lock type	Multi disc wet plate with management system						
Service brake	Hydraulically operated multiple wet disc brake, self adjusting						
<b>FOUR-WHEEL DRIVE AND STEERING</b>							
Type	Electro-hydraulic with management system						
Front axle suspension	○	○	○	○	○	○	○
Steering angle (°)	55	55	55	55	55	55	55
Min. turning radius <sup>3a</sup> track setting 1829 mm (m)	5.45	5.45	6.1	6.1	6.1	6.1	6.1
<b>POWER TAKE OFF</b>							
Type	Electro-hydraulic with Auto PTO control available						
Speeds Standard / Option	540/540E/1000 / -		540E/1000 / 540/1000		1000/1000E / 540/540E/1000/1000E		
Engine speeds Standard / Option (rpm)	1969/1546/2120 / -		1569/1893 / 1893/1950		1893/1614 / 1931/1598/1912/1583		
Shaft type	1 3/8" 21 splines / 1 3/8" 6 splines		1 3/8" 21 splines 1 3/8" 6 splines / 1 3/4" 20 splines				
	○	○	○	○		○	○
<b>HYDRAULIC SYSTEM</b>							
Pump flow and system type main hydraulic Stand/Optional (l/min)	113 PFC	113 PFC	120 - 150 PFC	120 - 150 PFC	120 - 150 PFC	120 - 150 PFC	120 - 150 PFC
System pressure (bar)	210	210	215	215	215	215	215
Control type	EHC with ride control						
Max. lift capacity (kg) Standard/Optional	6689 / 8259		6,995 / 10,460	6,995 / 10,460	6,995 / 10,460	6,995 / 10,460	6,995 / 10,460
Max. number of remote valves Standard / Optional	3 or 4 mechanical or 3 electronic	3 or 4 mechanical or 3 or 4 electronic	3 to 4 mechanical or 3 to 5 electronic		3 to 5 electronic	3 to 5 electronic	3 to 5 electronic
Max. number of mid mount valves with electronic joystick	2 electric	2 electric	3 electric	3 electric	3 electric	3 electric	3 electric
Category type	Cat II / III	Cat II / III	Cat II / III	Cat II / III	Cat II / III	Cat II / III	Cat II / III

MODELS	PUMA 140	PUMA 155	PUMA 180	PUMA 210	PUMA 165 CVT	PUMA 195 CVT	PUMA 225 CVT
<b>WEIGHT</b>							
Minimum weight (kg)	5450	5650	7300	7300	7200	7200	7200
Permissible total weight (kg)	10500	10500	13000	13000	13000	13000	13000
Max. permissible weight front (kg)	4900	4900	6000	6000	6000	6000	6000
Max. permissible weight rear (kg)	7300	7300	9500	9500	9500	9500	9500
<b>DIMENSIONS<sup>a</sup></b>							
A: Total length (mm)	4672	4672	5017	5017	5017	5017	5017
B: Total height (mm)	2995	2995	3164	3164	3164	3164	3164
C: Total width (across rear fenders with 150 mm extension) (mm)	2682	2682	2682	2682	2682	2682	2682
D: Wheel base (mm) Standard/with front axle suspension	2734 / 2789	2734 / 2789	2884	2884	2884	2884	2884
E: Height at centre of rear axle / highest point (mm)	2239	2239	2240	2240	2240	2240	2240
F: Track setting front (mm)	1560 - 2256	1560 - 2256	1560 - 2258	1560 - 2258	1560 - 2258	1560 - 2258	1560 - 2258
rear (mm)	1470 - 2294	1470 - 2294	1528 - 2695	1528 - 2695	1528 - 2695	1528 - 2695	1528 - 2695
<b>STANDARD TYRES<sup>a</sup></b>							
Front	480/70R28	480/70R28	480/70R28	540/65R28	600/65R28	600/65R28	600/65R28
Rear	580/70R38	580/70R38	580/70R38	650/65R38	650/65R42	650/65R42	650/65R42

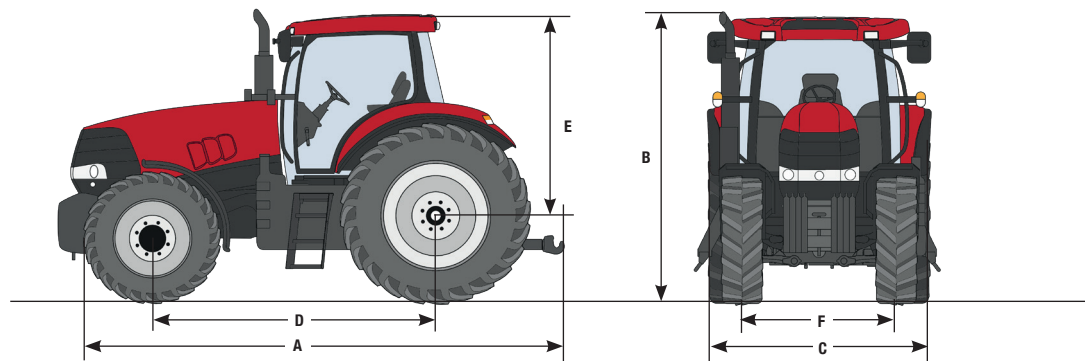
● Standard Equipment    ○ Optional Equipment    - Not available

<sup>1)</sup> ECE R120 correspond to ISO 14396 and 97 / 68 / EC

<sup>2)</sup> Power Management is only available during mobile PTO and haulage applications


<sup>3)</sup> With standard tyres


<sup>4)</sup> Other tyres on request





CNH Industrial, Middle East & Africa, Riva Paradiso, 14 - 6902 Paradiso-Lugano Switzerland

 Safety never hurts! Always read the Operator's Manual before working with any equipment. Inspect equipment before using it, and be sure it is operating properly. Follow the product safety signs, and use any safety features provided. This literature has been published for worldwide circulation. The standard and optional equipment and the availability of individual models may vary from one country to the next. Case IH reserves the right to undertake modifications without prior notice to the design and technical equipment at all times without this resulting in any obligation whatsoever to make such modifications to units already sold. Whilst every effort is made to ensure that the specifications, descriptions and illustrations in this brochure are correct at the time of going to press, these are also subject to change without prior notice. Illustrations may show optional equipment or may not show all standard equipment. Case IH recommends **ARCELA** lubricants. 22MEAC0003

    [caseih.com](http://caseih.com)

**CASE IH**